

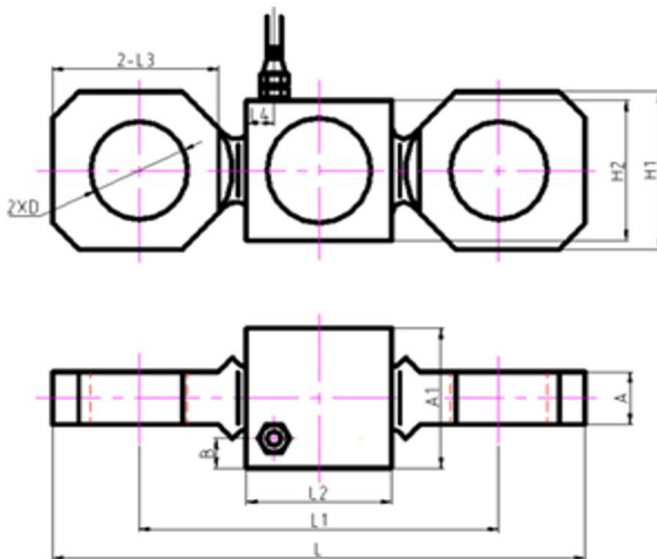
# A-TL05 Tension load cell



## Application

- Crane scale
- Hopper scale
- Packing scale

## Main Dimensions and Accessories(mm)



Cap(ton)	L	L1	L2	L3	L4	H1	H2	A	A1	B	D
2, 3	154	104	42	48	8	50	40	15	40	8.5	Φ32
5	211	141	63	62	16.8	68	58	20	55	8.5	Φ35
10	241	161	64	78	17.3	85	68	25	62	8.7	Φ47
15, 20	310	202	80	108	20	108	80	35	70	10	Φ55
30	351	227	85	118	23	118	85	40	75	10	Φ62
50	351	227	85	118	23	118	85	60	80	10	Φ68

## Specifications

Capacity	2~50t	Zero balance	±1%F.S
Rated output	1.8mV/V±0.2%	Input resistance	400±10Ω
Accuracy class	0.05	Output resistance	350±5Ω
Non-linearity	0.05%F.S	Safe overload	120%F.S
Hysteresis	0.05%F.S	Ultimate overload	150%F.S
Creep in 30 minutes	0.05%F.S	Excitation voltage	10~12V DC
Temperature effect span	0.03%F.S/10℃	Maximum excitation voltage	15V DC
Temperature effect zero	0.03%F.S/10℃	Insulation resistance	≥5000MΩ
Compensated temperature range	-10~+40℃	Environmental protection	IP68
Operating temperature range	-30~+70℃	Material	Alloy steels