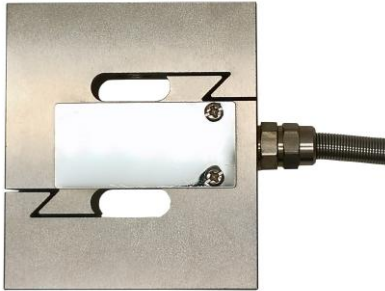


A-ST03 S type tension load cell



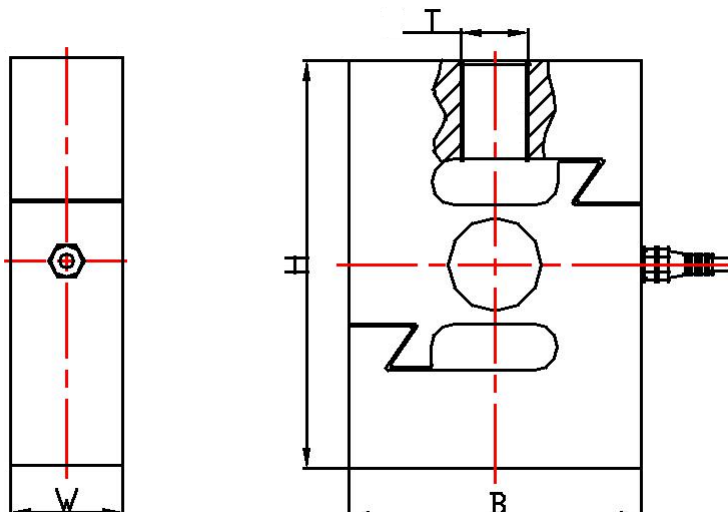
Description

A-ST03 S-type load cell has high accuracy and wide measuring range. They can be loaded either in tension or compression, and used for single or multiple-cell application if the output is rationalized

Application

- Electro crane scales
- Blending scale
- Packing scales
- Electromechanical scales
- Special testing device

Main Dimensions and Accessories(mm)



Capacity	Size			
Ton	B	W	H	T
0.1, 0.2, 0.3, 0.5, 0.75	70	19	80	M12
1, 1.5	70	25	80	M12
2, 3, 5	95	25	108	M18 X1.5
7.5, 10	130	51	178	M30 X2
15, 20	160	60	190	M39 X2

Specifications

Capacity	0.1~20t	Zero balance	±1%F.S
Rated output	2.0mV/V±0.1%	Input resistance	400±10Ω
Accuracy class	0.03,0.05	Output resistance	350±5Ω
Non-linearity	0.02%F.S	Safe overload	150%F.S
Hysteresis	0.02%F.S	Ultimate overload	200%F.S
Creep in 30 minutes	0.02%F.S	Excitation voltage	10~12V DC
Temperature effect span	0.02%F.S/10°C	Maximum excitation voltage	15V DC
Temperature effect zero	0.02%F.S/10°C	Insulation resistance	≥5000MΩ
Compensated temperature range	-10~+40°C	Environmental protection	IP68
Operating temperature range	-30~+70°C	Material	Alloy steels/Stainless steel

Cable, 4~6m

+Exc (Red) ; -Exc (Black); +Sig (Green); -Sig (White)