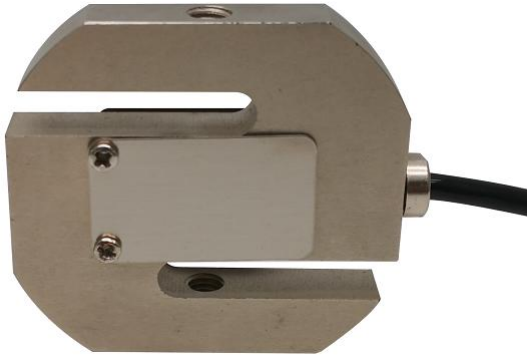


A-ST02 single point load cell



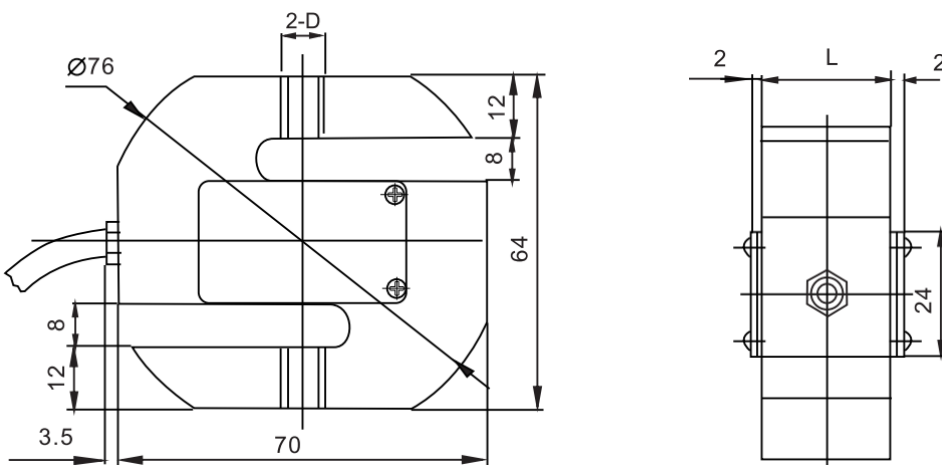
Description

The S-type load cell, as the name indicates, can be easily identified by S-shaped body. They can be loaded either in tension or compression, and used for single or multiple-cell application if the output is rationalized

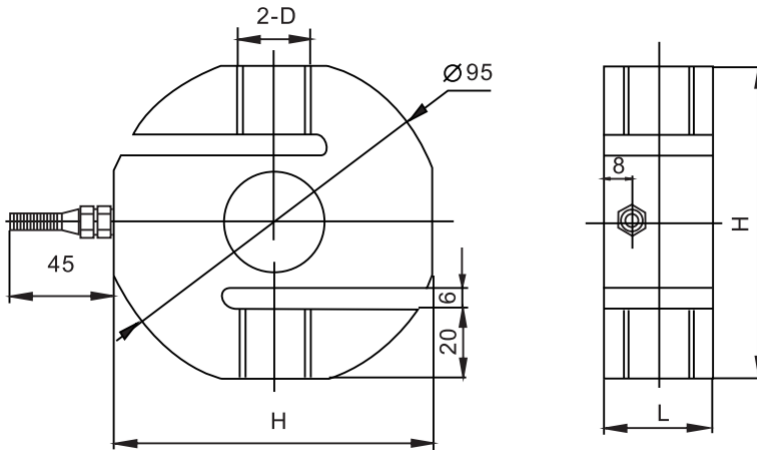
Application

- Electro-mechanical conversion scales
- Silo/hopper/tank weighing
- Crane scales
- Fork-lift scales
- Dosing/filling
- Universal material tester
- Tensile/pulling force measurement

Main Dimensions and Accessories(mm)



Capacity(kg)	D	L(mm)
30; 50; 75; 100; 150	M8	12
200; 250; 300; 500	M12	20
700; 1000	M12	25



Capacity(t)	D	L	H
1.2; 1.5; 2; 2.5; 3; 5	M20	32	90
7.5	M24	40	90
10	M30*2	50	110

Specifications

Capacity	0.3~10t	Zero balance	$\pm 1\%$ F.S
Rated output	2.0, 3.0mV/V $\pm 0.1\%$	Input resistance	380 $\pm 10\Omega$
Accuracy class	0.03,0.05	Output resistance	350 $\pm 5\Omega$
Non-linearity	0.03%F.S	Safe overload	150%F.S
Hysteresis	0.03%F.S	Ultimate overload	200%F.S
Creep in 30 minutes	0.03%F.S	Excitation voltage	10~12V DC
Temperature effect span	0.015%F.S/10 $^{\circ}$ C	Maximum excitation voltage	15V DC
Temperature effect zero	0.02%F.S/10 $^{\circ}$ C	Insulation resistance	$\geq 5000M\Omega$
Compensated temperature range	-10~+40 $^{\circ}$ C	Environmental protection	IP68
Operating temperature range	-30~+70 $^{\circ}$ C	Material	Alloy steels/Stainless steel