

A-NHT04 Compression load cell



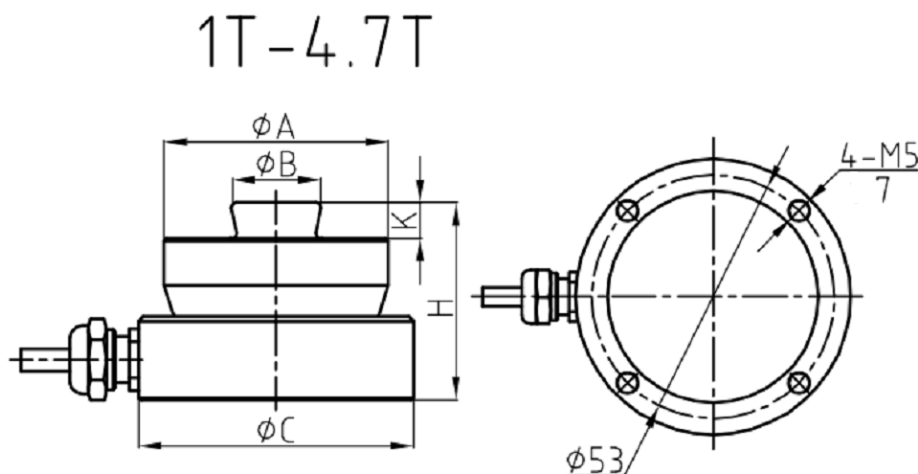
Description

A-NHT04 compression type load cell with temperature compensated and hermetically sealed structure, fast dynamic response. It is simple to install, easy to use.

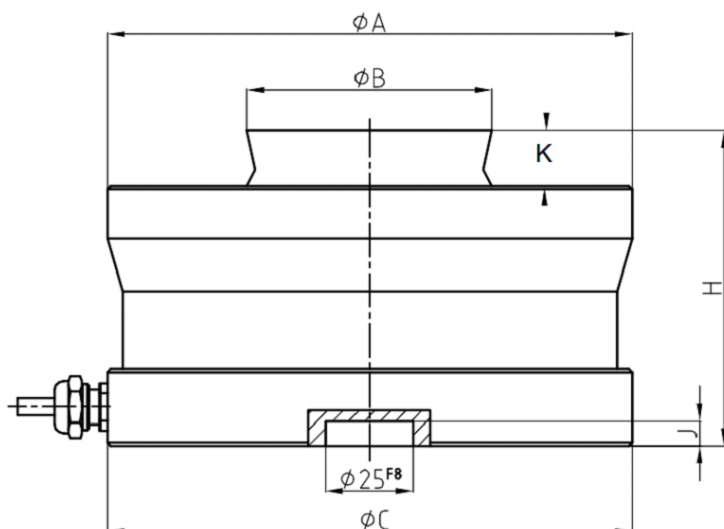
Application

- Electronic truck scale
- Axle load scale
- Hopper scale
- Warehouse scale
- Silo scale
- Press force checking and calibration

Main Dimensions and Accessories(mm)



10T-470T



| Capacity | ΦA | ΦB | ΦC | H | J | K |
|----------|----------|----------|----------|-----|---|-----|
| 1~4.7 t | 50 | 20 | 60 | 43 | - | 7.5 |
| 10t~22 t | 75 | 30 | 75 | 50 | | 6.5 |
| 33t | 95 | 40 | 95 | 65 | 7 | 10 |
| 47t | 130 | 60 | 130 | 75 | 7 | 14 |
| 68t | 130 | 60 | 130 | 85 | 7 | 14 |
| 100t | 150 | 70 | 150 | 90 | 7 | 16 |
| 150t | 150 | 70 | 150 | 100 | 7 | 16 |

Specifications

| | | | |
|-------------------------------|--|----------------------------|-----------------------------|
| Capacity | 1~150t | Zero balance | $\pm 1\%F.S$ |
| Rated output | 2.85mv/v $\pm 0.1\%$ | Input resistance | 1450 $\pm 100\Omega$ |
| Accuracy class | 0.05 | Output resistance | 1400 $\pm 5\Omega$ |
| Non-linearity | 0.1%F.S | Safe overload | 150%F.S |
| Hysteresis | 0.1%F.S | Ultimate overload | 200%F.S |
| Creep in 30 minutes | 0.1%F.S | Excitation voltage | 10~12V DC |
| Temperature effect span | 0.03%F.S/10°C | Maximum excitation voltage | 15V DC |
| Temperature effect zero | 0.03%F.S/10°C | Insulation resistance | $\geq 5000M\Omega$ |
| Compensated temperature range | -10~+40°C | Environmental protection | IP68 |
| Operating temperature range | -30~+70°C | Material | Alloy steel/Stainless steel |
| Cable: 8~16m | Wring: +Exc (Red) ; -Exc (Black); +Sig (Green); -Sig (White) | | |