

# A-DESB09 Double Ended Shear Beam load cell



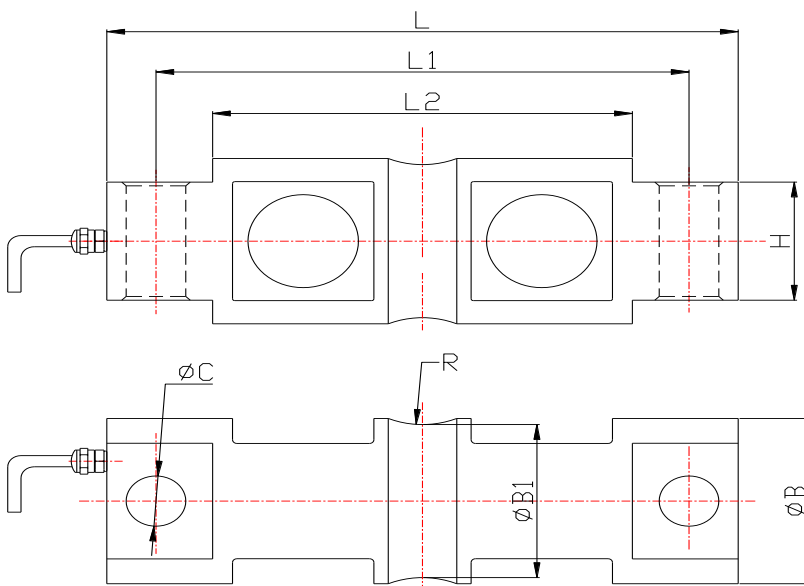
## Description

A-DESB09 double ended shear beam load cell have unique floating bearing structure. Self-resetting, good side force resistance and shock resistance. Moisture proof sealed, ideal for hostile environment..

## Applications

- Railway scale
- Truck scale
- Axle wheel scale
- Hooper scale

## Main Dimensions and Accessories(mm)



Capacity	Size/mm							
	L	L1	L2	H	ΦB	ΦB1	ΦC	R
<b>5;10</b>	206.2	174.6	133.0	28.5	43.2	37.6	16.8	12.7
<b>20;25</b>	206.2	174.6	133.0	28.5	49.5	37.6	16.8	12.7
<b>30;50;75</b>	260	216	165	60.2	76.2	69.3	27	25.4
<b>100</b>	286.0	241.3	190.2	63.5	88	82.3	27	38.1

## Specifications

Capacity	5~100klb	Input resistance	750±10Ω
Rated output	3.0mv/v±0.1%	Output resistance	702±3Ω
Total error	0.03,C3	Safe overload	150%F.S
Creep in 30 minutes	<±0.02%F.S	Ultimate overload	200%F.S
Temperature effect span	<±0.02%F.S/10°C	Excitation voltage	10V AC/DC
Temperature effect zero	<±0.02%F.S/10°C	Maximum excitation voltage	15V AC/DC
Compensated temperature range	-10~+40°C	Insulation resistance	≥5000MΩ
Operating temperature range	-30~+70°C	Environmental protection	IP68
Zero balance	±1%F.S	Material	Allow steel

Cable: 8m@5~10klb; 12m@20~75klb; 16m@100klb  
 Wring: +Exc (Red) ; -Exc (Black); +Sig (Green); -Sig (White)