

# A-CT10 Column type load cell



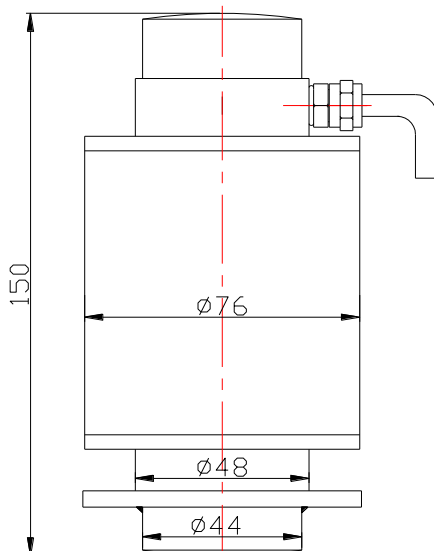
## Description

A-CT10 column type load cell with hermetically sealed structure, fast dynamic response, strong anti-overload capability, upper ball head load bearing. It is simple to install, easy to use.

## Application

- Electronic truck scale
- Dynamic railroad scale
- Axle load scale

## Main Dimensions and Accessories(mm)



## Specifications

Capacity	10~50t	Zero balance	±1%F.S
Rated output	2.0mv/v±0.1%	Input resistance	700±10Ω
Accuracy class	0.03,0.05	Output resistance	702±3Ω
Non-linearity	0.03%F.S	Safe overload	150%F.S
Hysteresis	0.03%F.S	Ultimate overload	250%F.S
Creep in 30 minutes	0.03%F.S	Excitation voltage	10V AC/DC
Temperature effect span	0.015%F.S/10℃	Maximum excitation voltage	15V AC/DC
Temperature effect zero	0.02%F.S/10℃	Insulation resistance	≥5000MΩ
Compensated temperature range	-10~+40℃	Environmental protection	IP67
Operating temperature range	-30~+65℃	Material	Alloy steels/Stainless steel