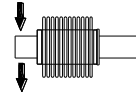


A-BT09 below type load cell

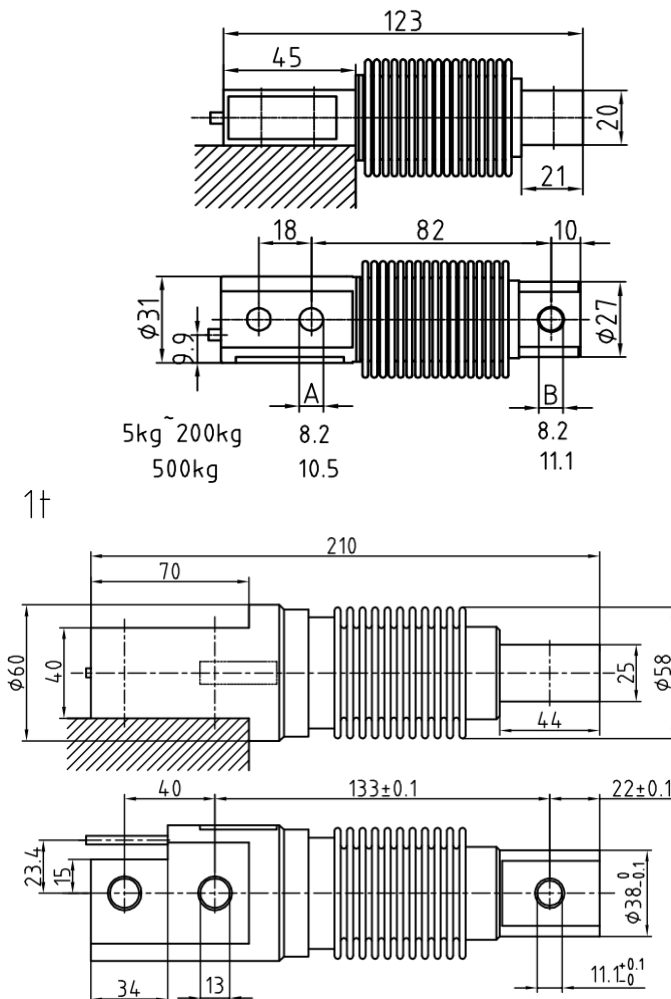


Description

Welded bending stainless steel load cell. The low profile, high accuracy and sealing makes this load cell highly suitable for applications such as low profile platforms, weighing and packing machines, conversion of mechanical scales and variety of other applications where sealed cells are required.

Main Dimensions and Accessories

5kg-500kg



Specifications

Capacity	5~1000kg	Zero balance	±1%F.S
Rated output	2.0mv/v±0.1%	Input resistance	400±50Ω
Accuracy class	C3,D1	Output resistance	356±1Ω
Non-linearity	0.02, 0.05%F.S	Safe overload	150%F.S
Hysteresis	0.02, 0.05%F.S	Ultimate overload	300%F.S
Creep in 30 minutes	0.02, 0.05%F.S	Excitation voltage	10V AC/DC
Temperature effect span	0.015%F.S/10℃	Maximum excitation voltage	15V AC/DC
Temperature effect zero	0.012%F.S/10℃	Insulation resistance	≥5000MΩ
Compensated temperature range	-10~+40℃	Environmental protection	IP68
Operating temperature range	-30~+70℃	Material	Stainless steel

Capacity: 5; 10; 20; 50; 100; 200; 500; 1000kg

Cable: 3m

Wring: +Exc (Blue) ; -Exc (Black); + Sig (White); - Sig (Red) +Sen (Green) - Sen (Grey)